

bar stock needle valve, block and bleed



Technical features

Rating: 6000 psi; or 10000 psi (code **10K**).

Tee-bar: AISI 303 st.st.

Stem: AISI 316 L st.st.

Non-rotating needle: AISI 316 L st.st (code **5**), (or special materials).

Bonnet: AISI 316 L st.st (code **5**), (or special materials).

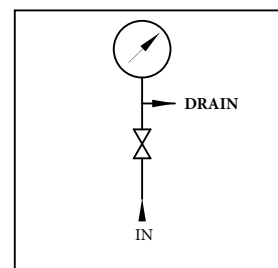
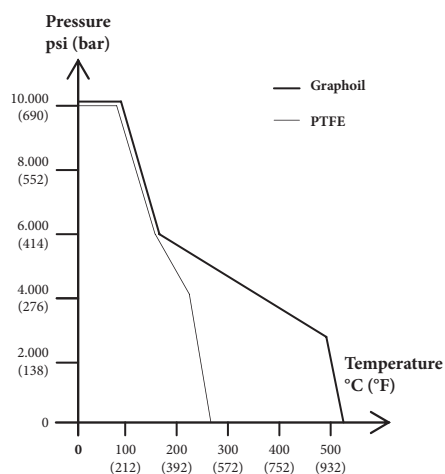
Packing: PTFE or Graphoil (see chart below).

Nuts: carbon steel.

Line dust cup: Hytrel, blu.

Bonnet seal: AISI 316L st.st. seal.

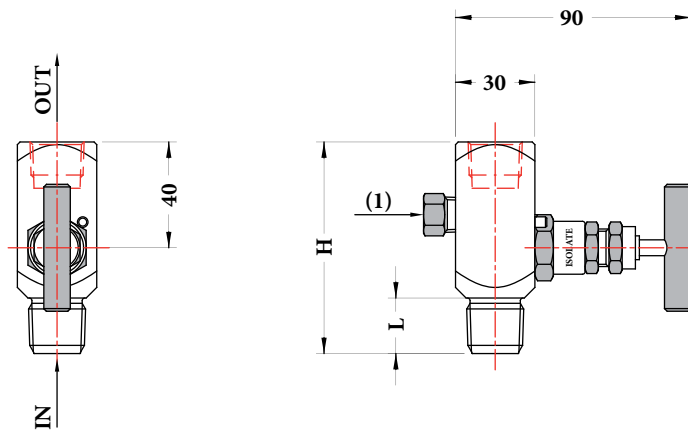
Valve body and drain plug: AISI 316 L st.st. (code **5**), (or special materials).



OPTIONS

10K - Rating bonnet : 10000 psi	LOK - T-Bar handle locking
ANT - Anti-tamper	P02 - Oxygen service
E30 - NACE version as per MR 0103/0175-ISO15156	SMI - Tag
GRA - Graphoil packing	TB6 -

5.VVM - BSV/VVM - male process connection



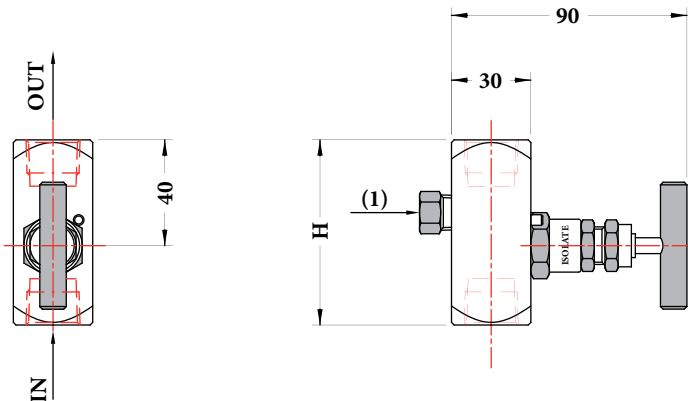
Weight : 0,53 kg

Code	IN-OUT	H	L
43M x 43F	1/2" NPT M x 1/2" NPT F	76	20

(1) Drain 1/4" NPT F with plug

dimensions : mm

5.VVF - BSV/VVF - female process connection



Weight : 0,48 kg

Code	IN-OUT	H
43F x 43F	1/2" NPT F x 1/2" NPT F	70

(1) Drain 1/4" NPT F with plug

dimensions : mm

“HOW TO ORDER” SEQUENCE

Section / Model / Material / Process connection / Instrument connection / Options

5 VVM 5 43M 43F 10K...SMI
VVF 43F